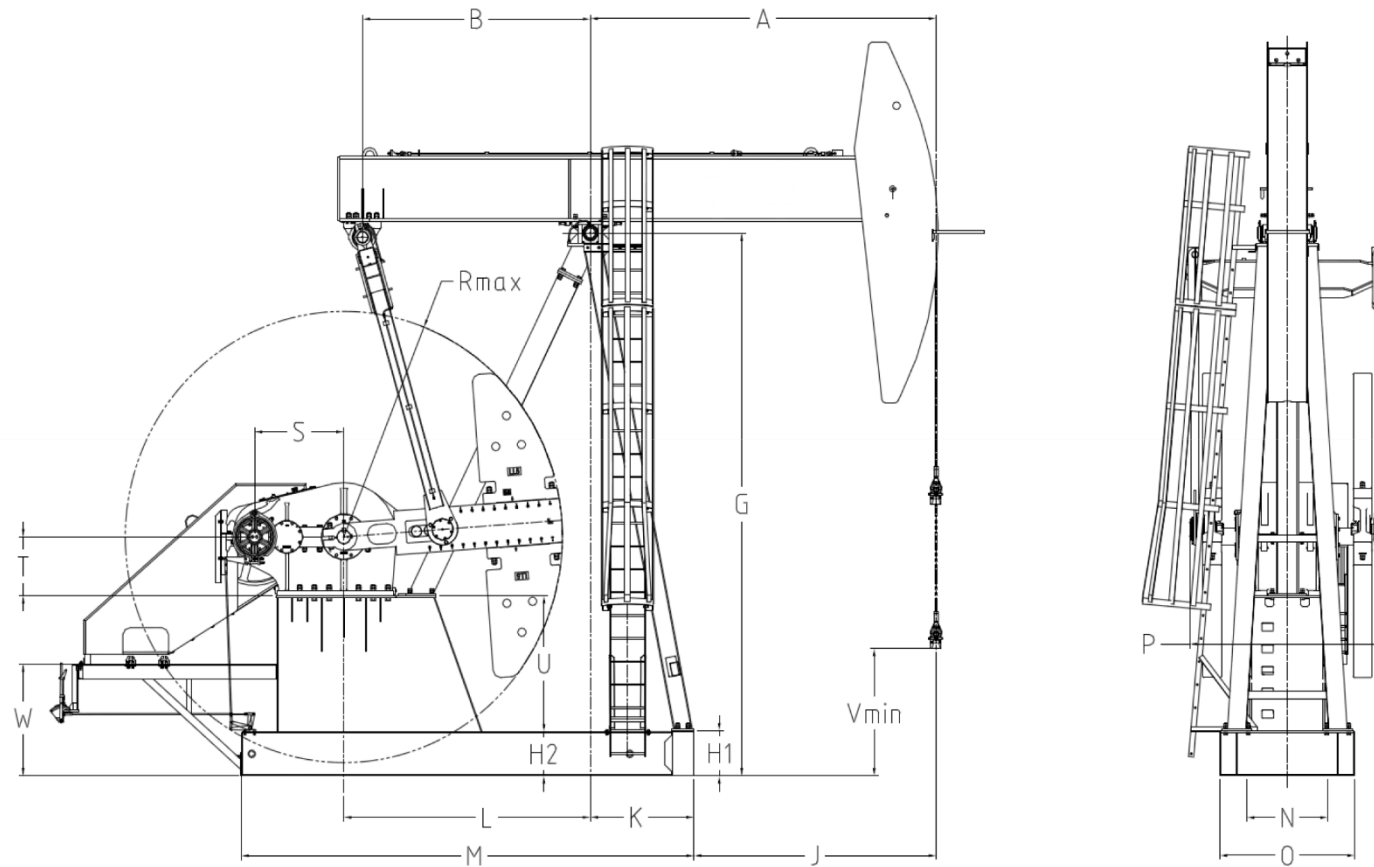




LIFTING SOLUTIONS

HIGH EFFICIENCY (HE) BEAM PUMPING UNIT



UNIT	A	B	G	H1	H2	J	K	L	M	N	O	P	R	S	T	U	Vmin	W
912-365-192	17'-7 3/8"	10'-2"	25'-11" 2	23 3/8"	22 7/8"	13'-0"	4'-7 1/2"	11'-0"	20'-2 3/8"	3'-7 1/4"	6'-0 1/4"	8'-8 5/8"	117"	47.768"	30.512"	5'-5 5/8"	6'-6 5/8"	4'-9 7/8"
640-365-168	15'-5 1/8"	10'-2"	23'-5 5/8"	23 3/8"	22 7/8"	10'-9 5/8"	4'-7 1/2"	11'-0"	20'-2 3/8"	3'-7 1/4"	6'-0 1/4"	8'-4 1/4"	117"	45.033"	28.346"	5'-10 1/2"	5'-6 1/8"	4'-9 7/8"
640-305-168	15'-5 1/8"	10'-2"	23'-5 5/8"	23 3/8"	22 7/8"	10'-9 5/8"	4'-7 1/2"	11'-0"	20'-2 3/8"	3'-7 1/4"	6'-0 1/4"	8'-4 1/4"	117"	45.033"	28.346"	5'-10 1/2"	5'-6 1/8"	4'-9 7/8"
456-305-168	15'-5 1/8"	10'-2"	23'-5 5/8"	23 3/8"	22 7/8"	10'-9 5/8"	4'-7 1/2"	11'-0"	20'-2 3/8"	3'-7 1/4"	6'-0 1/4"	7'-7 3/4"	117"	39.914"	25.591"	5'-10"	6'-3 1/2"	4'-9 7/8"
456-305-144	13'-2 3/8"	10'-2"	23'-5 5/8"	23 3/8"	22 7/8"	8'-6 7/8"	4'-7 1/2"	11'-0"	20'-2 3/8"	3'-7 1/4"	6'-0 1/4"	7'-9 5/8"	117"	39.914"	25.591"	5'-10"	6'-6 7/8"	4'-9 7/8"
320-256-144	13'-2 3/8"	8'-3 3/8"	21'-0 1/4"	23 3/8"	23 5/8"	7'-7 1/4"	3'-7 1/4"	9'-2"	16'-8 7/8"	3'-1 3/4"	5'-7 3/8"	7'-0 3/8"	99.016"	36.073"	23.228"	4'-6 3/8"	4'-11 1/8"	4'-9 7/8"
320-305-120	11'-0 1/8"	8'-3 3/8"	21'-0 1/4"	23 3/8"	23 5/8"	7'-4 7/8"	3'-7 1/4"	9'-2"	16'-8 7/8"	3'-1 3/4"	5'-7 3/8"	7'-0 3/8"	99.016"	36.073"	23.228"	4'-6 3/8"	5'-3 1/4"	4'-9 7/8"
228-173-120	11'-0 1/8"	6'-11 3/8"	18'-7"	15 3/8"	15 3/4"	7'-4 7/8"	3'-1 1/4"	7'-6 1/8"	14'-9 1/8"	1'-3 3/8"	5'-7 3/8"	6'-3"	80"	31.661"	19.685"	3'-10 1/2"	6'-4 5/8"	3'-10 5/8"

Client Solutions (Canada)
780.784.7725

24HR Dispatch North
780.875.0888

24HR Dispatch South
306.773.7714